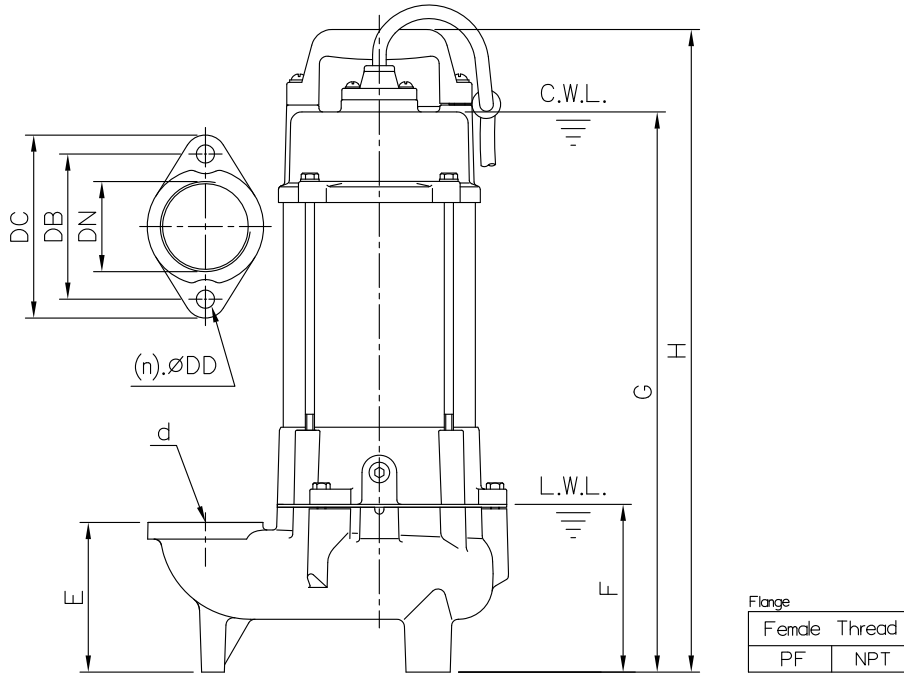
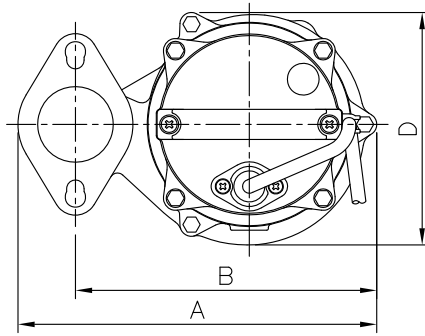


DIMENSIONS

No: S2F0U208030-00

MODEL:F-05U & F-21U

1Ø & 3Ø



Dimensions-mm

Weight:Kg

Model	d	A	B	D	E	F	G	H	WT1	Elbow (Flange) Set	DN	DB	DC	DD	(n)QTY	WT2
F-05U 1Ø	50	237	199	154	99	111	371	425	16	EF2-96	50	96	121	12	2	1
F-05U 3Ø	50	237	199	154	99	111	371	425	15	EF2-96	50	96	121	12	2	1
F-21U 1Ø	50	237	199	154	99	111	371	425	17	EF2-96	50	96	121	12	2	1
F-21U 3Ø	50	237	199	154	99	111	371	425	16	EF2-96	50	96	121	12	2	1

Dimensions-inch

Weight:Lbs

Model	d	A	B	D	E	F	G	H	WT1	Elbow (Flange) Set	DN	DB	DC	DD	(n)QTY	WT2
F-05U 1Ø	2	9 ⁵ / ₁₆	7 ³ / ₁₆	6 ¹ / ₁₆	3 ⁷ / ₈	4 ³ / ₈	14 ⁵ / ₈	16 ³ / ₄	35	EF2-96	2	3 ³ / ₄	4 ³ / ₄	1/2	2	1
F-05U 3Ø	2	9 ⁵ / ₁₆	7 ³ / ₁₆	6 ¹ / ₁₆	3 ⁷ / ₈	4 ³ / ₈	14 ⁵ / ₈	16 ³ / ₄	33	EF2-96	2	3 ³ / ₄	4 ³ / ₄	1/2	2	1
F-21U 1Ø	2	9 ⁵ / ₁₆	7 ³ / ₁₆	6 ¹ / ₁₆	3 ⁷ / ₈	4 ³ / ₈	14 ⁵ / ₈	16 ³ / ₄	37	EF2-96	2	3 ³ / ₄	4 ³ / ₄	1/2	2	1
F-21U 3Ø	2	9 ⁵ / ₁₆	7 ³ / ₁₆	6 ¹ / ₁₆	3 ⁷ / ₈	4 ³ / ₈	14 ⁵ / ₈	16 ³ / ₄	35	EF2-96	2	3 ³ / ₄	4 ³ / ₄	1/2	2	1

C.W.L.:Continuous Running Water Level WT1:Pump Weight(Without Cable)
 L.W.L.:Lowest Running Water Level WT2:Elbow Set Weight